

TripleTOF® 6600+ LC-MS/MS System: Powerful. Productive. Versatile.

Learn the top 5 technology advancements

TripleTOF 6600+
5

From front to back, the TripleTOF 6600+ System can help you analyze your samples faster and without compromising between speed, resolution and sensitivity. Explore the technological advances that give this system the performance edge.

Produce more ions

IonDrive™ Turbo V Ion Source increases ion production by using enhanced gas flow dynamics and heater configuration. This delivers higher sensitivity and provides increased robustness and uptime for your LC-MS analyses.

Focus more ions

LINAC® Collision Cell technology provides ultimate ion focusing along with efficient and rapid ion transmission to help eliminate cross-talk and achieve a lower duty cycle for enhanced sensitivity.

Detect more ions, faster

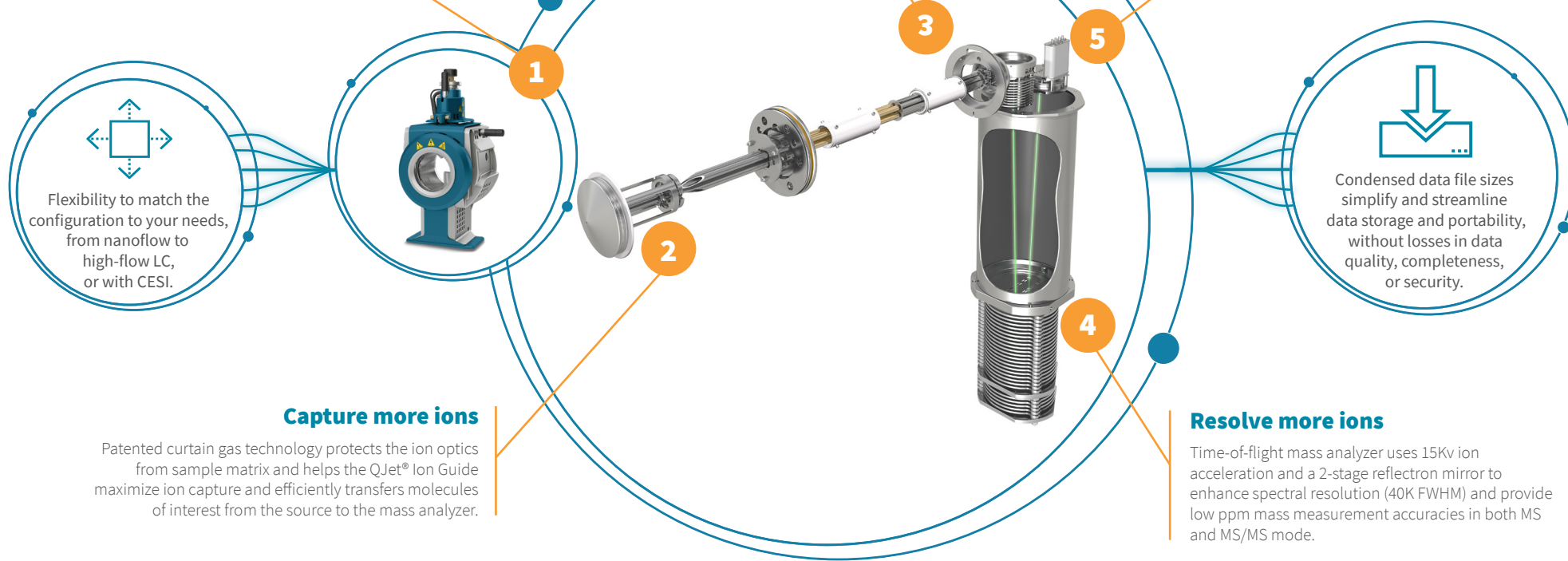
Get 5 orders of linear dynamic range with the 4-channel MCP detector with ADC processing, which operates at low bias voltage to improve robustness and lifetime. Perform up to 100 MS/MS scans per second with information-dependent acquisition (IDA) and up to 200 MS/MS scans per second with SWATH® Acquisition.

Capture more ions

Patented curtain gas technology protects the ion optics from sample matrix and helps the QJet® Ion Guide maximize ion capture and efficiently transfers molecules of interest from the source to the mass analyzer.

Resolve more ions

Time-of-flight mass analyzer uses 15Kv ion acceleration and a 2-stage reflectron mirror to enhance spectral resolution (40K FWHM) and provide low ppm mass measurement accuracies in both MS and MS/MS mode.



Flexibility to match the configuration to your needs, from nanoflow to high-flow LC, or with CESI.

Condensed data file sizes simplify and streamline data storage and portability, without losses in data quality, completeness, or security.

Take a deeper look into complex samples with the sensitivity and linear dynamic range of the TripleTOF 6600+ System.

Enhanced versatility to take on any challenge

Discover the benefits of the TripleTOF® 6600+ System for these selected applications

TripleTOF 6600+
5

Your lab can take on new challenges and projects with a platform that offers maximal versatility. Get up and running with new workflows quickly by leveraging a familiar system with the widest breadth of applications available.



Lipidomics

Avoid common MS level quantification problems. The seamless flow injection analysis (FIA) method for quantitative and qualitative lipidomics discovery uses an automated and untargeted MS/MS^{ALL} workflow.

[Read More Here>](#)



Metabolomics

Improve quantitative coverage and gain structural information on detectable metabolites. A simple, single-injection variable window SWATH® Acquisition workflow, helps provide both confidence in identification and accurate quantification of the metabolome.

[Read More Here>](#)



Biologics analysis

Sensitivity and large dynamic range enable comprehensive biotherapeutic characterization as well as low-level host cell protein detection.

[Read More Here>](#)



Food and environmental

Perform research at the forefront of science. The power of SWATH Acquisition enables you to detect contaminants regular workflows can miss.

[Read More Here>](#)



Proteomics

Balance throughput and sensitivity for large-scale quantitative proteomics studies with microflow SWATH, and dig deeper into your proteome with variable window SWATH Acquisition.

[Read More Here>](#)



Drug metabolism

Be confident you're not missing low-level or toxic metabolites or catabolites in your sample by utilizing a single-injection, comprehensive SWATH Acquisition workflow.

[Read More Here>](#)



Targeted quantification

Whether targeting proteins, lipids, or small molecule analytes, obtain high-quality quantification with the MRM^{MR} workflow and 5 orders of linear dynamic range.

[Read More Here>](#)



Forensics

Acquire all the analytes in your evidence and see a true profile of your sample. SWATH Acquisition creates a digital archive of your sample so re-analysis is not subjected to sample degradation.

[Read More Here>](#)

Take a deeper look into complex samples with the sensitivity and linear dynamic range of the TripleTOF 6600+ System.

The SCIEX clinical diagnostic portfolio is For In Vitro Diagnostic Use. Rx Only. Product(s) not available in all countries. For information on availability, please contact your local sales representative or refer to <https://sciex.com/diagnostics>. All other products are For Research Use Only. Not for use in Diagnostic Procedures. Trademarks and/or registered trademarks mentioned herein are the property of AB Sciex Pte. Ltd. or their respective owners in the United States and/or certain other countries. © 2020 DH Tech. Dev. Pte. Ltd.

RUO-MKT-07-5941-B

SCIEX
The Power of Precision